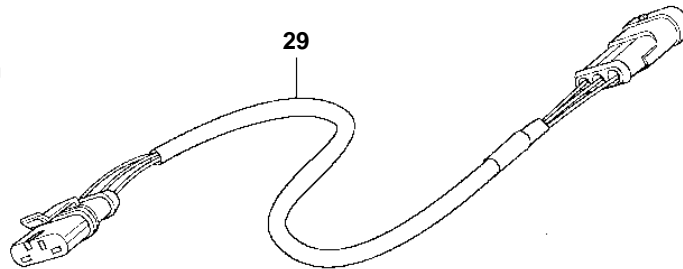
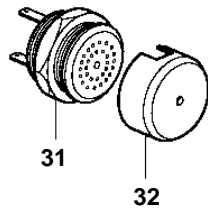
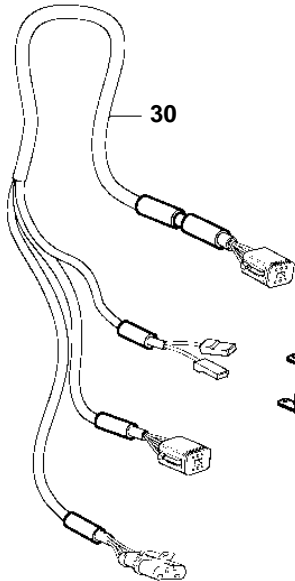
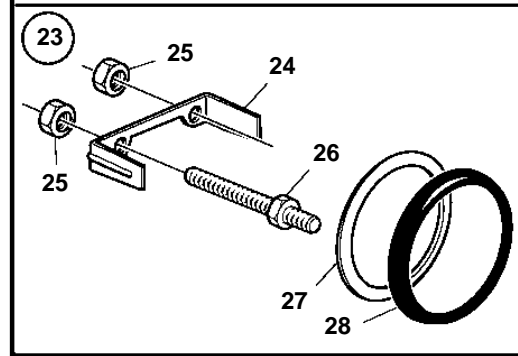
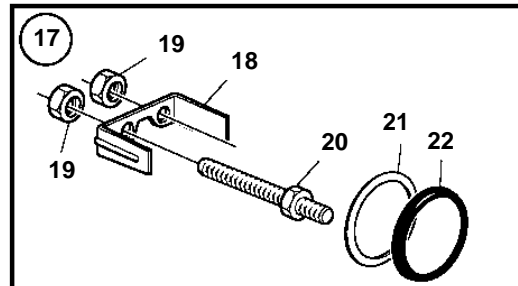
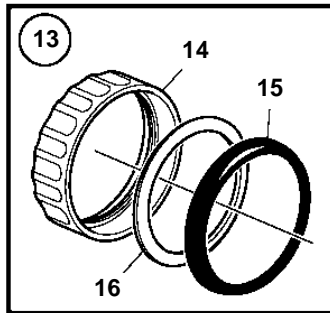
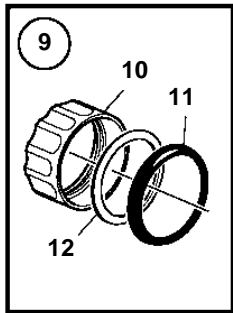
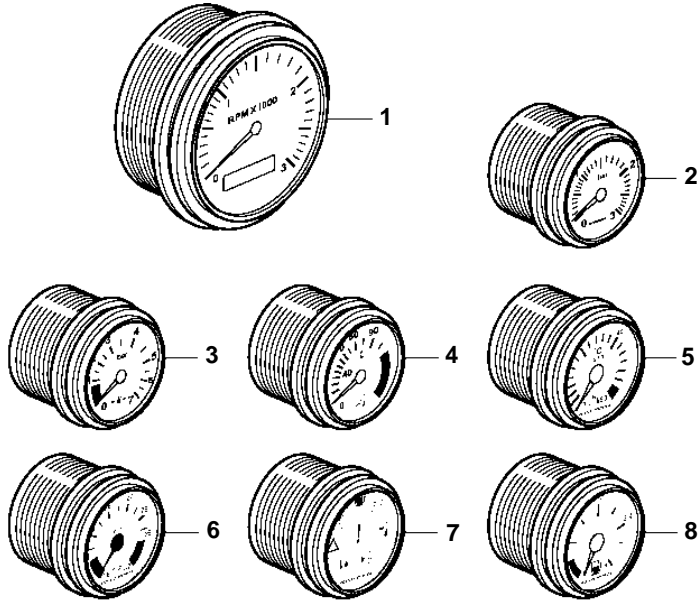


TAD1641VE, TAD1642VE



TAD1641VE, TAD1642VE

| REF | PART NO. | QTY | DESCRIPTION | NOTES |
|-----|----------|-----|----------------------------------|-----------------|
| 1 | 874903 | 1 | Tachometer | BLACK D=85mm |
| | 874928 | 1 | Tachometer | BLACK D=85mm |
| 2 | 874910 | 1 | Turbo pressure gauge | BLACK 0-3 bar |
| | 874920 | 1 | Turbo pressure gauge | BLACK 0-45 psi |
| | 874911 | 1 | Pressure gauge, freshwater | BLACK 0-3 bar |
| | 874912 | 1 | Pressure gauge, sea water | BLACK 0-3 bar |
| 3 | 874908 | 1 | Oil pressure gauge, engine | BLACK 0-7 bar |
| | 874919 | 1 | Oil pressure gauge, engine | BLACK 0-100 psi |
| | 874909 | 1 | Oil pressure gauge, reverse gear | BLACK 0-25 bar |
| | 874951 | 1 | Oil pressure gauge, reverse gear | BLACK 0-350 psi |
| 4 | 874904 | 1 | Thermometer, coolant water | BLACK 0-120°C |
| | 874918 | 1 | Thermometer, coolant water | BLACK 40-250 °F |
| | 874905 | 1 | Thermometer, oil-engine | BLACK 0-150°C |
| | 881857 | 1 | Thermometer, oil-engine | BLACK 40-300 °F |
| | 874906 | 1 | Thermometer, reverse gear | BLACK 0-120°C |
| 5 | 874907 | 1 | Thermometer, exhaust temp | BLACK 0-600 °C |
| 6 | 874913 | 1 | Voltmeter | BLACK |
| 7 | 874915 | 1 | Instrument, alarm | BLACK |
| 8 | 874914 | 1 | Fuel gauge | BLACK |
| 9 | 874709 | 1 | Mounting kit | BLACK D=52mm |
| 10 | 874450 | 1 | · Attaching ring | |
| 11 | 874448 | 1 | · Ring | |
| 12 | 874707 | 1 | · Gasket | |
| 13 | 874708 | 1 | Mounting kit | BLACK D=85mm |
| 14 | 874449 | 1 | · Attaching ring | |
| 15 | 874447 | 1 | · Ring | |
| 16 | 874706 | 1 | · Gasket | |
| 17 | 881611 | 1 | Brace kit | BLACK D=52mm |
| 18 | 881607 | 1 | · Brace | |
| 19 | 881610 | 2 | · Nut | |
| 20 | 881609 | 2 | · Stud | |
| 21 | 874707 | 1 | · Gasket | |
| 22 | 874448 | 1 | · Ring | |
| 23 | 881612 | 1 | Brace kit | BLACK D=85mm |
| 24 | 881608 | 1 | · Brace | |
| 25 | 881610 | 2 | · Nut | |
| 26 | 881609 | 2 | · Stud | |
| 27 | 874706 | 1 | · Gasket | |
| 28 | 874447 | 1 | · Ring | |
| 29 | 874759 | 1 | Extension cable, instrument | L=1000mm |
| 30 | 3808852 | 1 | Cable kit, instrument | |
| 31 | 828587 | 1 | Buzzer | |
| 32 | 858795 | 1 | Protecting casing | |